



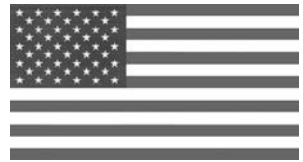
# **EXTREME SERIES**

*Adjustable Height Goal Systems*



- X672
- X660
- X560
- X554
- X454
- X448

*Installation  
& Owner's  
Instructions*



*Made In The USA*

*Best in Basketball*



## **Extreme Series Goal System Instructions**

This manual explains the proper installation, operation and maintenance of your Goalsetter Goal. Study and understand these instructions thoroughly before installing, operating or maintaining the goal. Failure to do so could result in serious injury or death and/or equipment damage. Consult your Goalsetter dealer or Goalsetter Systems, Inc. if you do not understand the instructions in this manual or need additional information.

Goalsetter Systems, Inc. recommends that you retain this manual for future reference of operation, maintenance and parts information.

The instructions, illustrations and specifications in this manual are based on the latest information available at the time of publications. Your goal may have product improvements and options not yet contained in this manual.

Goalsetter Systems, Inc. reserves the right to make changes at any time without notice or obligation.

Additional copies of these instructions are available from Goalsetter Systems, Inc.

**GOALSETTER®**, **GOALSETTER SYSTEMS®** AND **GOALSETTER®** logo are all registered trademarks of Goalsetter Systems, Inc. in the U.S. and/or other countries.

**GS™** and **BEST IN BASKETBALL™** are trademarks of Goalsetter Systems, Inc.

This product is covered by various U.S. and Canadian patents, including U.S. Patent #5,211,393.  
Patent infringement will be prosecuted.

No part of this manual may be reproduced in any form or by any means electronic or mechanical, including photocopying, recording, or by any information storage and retrieval systems without the express written consent of Goalsetter Systems, Inc.

**Copyright 2006.**  
**Revised 8/30/2007.**  
**All Rights Reserved.**  
**Goalsetter Systems, Inc.**

**Questions? Comments? Contact Us:**  
**Phone: 800.362.4625 • Fax: 641.594.3343**  
**Email: [info@goalsettersystems.com](mailto:info@goalsettersystems.com)**  
**[www.goalsettersystems.com](http://www.goalsettersystems.com)**

**TABLE OF CONTENTS**

**Contact Information** .....2

**Thank You** .....4

**Lay Out Playing Court** .....4

    Court Markings (reference only) .....4

**Safety Instructions** .....5

**Ground Anchor Installation** .....6

    Call "One-Call" .....6

    Required Tools and Materials .....6

**Ground Anchor Placement** .....7

**Installation** .....8

    Dig Hole .....8

    Position Anchor and Fill With Concrete .....8

**Goal Specifications** .....12-13

**Goal Assembly** .....9

    Required Tools and Materials .....9

    Hardware Identification .....9-11

    Parts List .....14-15

    Pole Assembly .....16-17

    Backboard Attachment .....18

    Goal Alignment .....19

    Rim Attachment .....20

    Height Indicator Attachment .....21

**Operation and Maintenance** .....21-22

    Cleaning .....21

    Operation .....21

    Lubrication .....22

    Maintenance .....22

**Warranties** .....23

## THANK YOU!

*Thank you and congratulations for purchasing a Goalsetter Goal – the finest basketball goal system on the market today! You will discover that Goalsetter is unsurpassed in product innovation, quality and integrity in the basketball equipment industry. We are continually focused on designing, engineering and producing products that meet and exceed the expectations of today's toughest playing environments and demanding players. Please contact us if you have any concerns, questions or suggestions regarding our products.*

## LAY OUT PLAYING COURT

Consider the following to determine where to install the basketball goal:

- Whether the goal is to be installed into a landscaped area next to the playing surface or into a hard-surfaced area.
- Backboard size and its extension distance from the structure.
- If court markings are to be used.
- Amount of playing surface desired beneath the goal.
- Other functions of playing surface (such as driveway, tennis court, etc.)

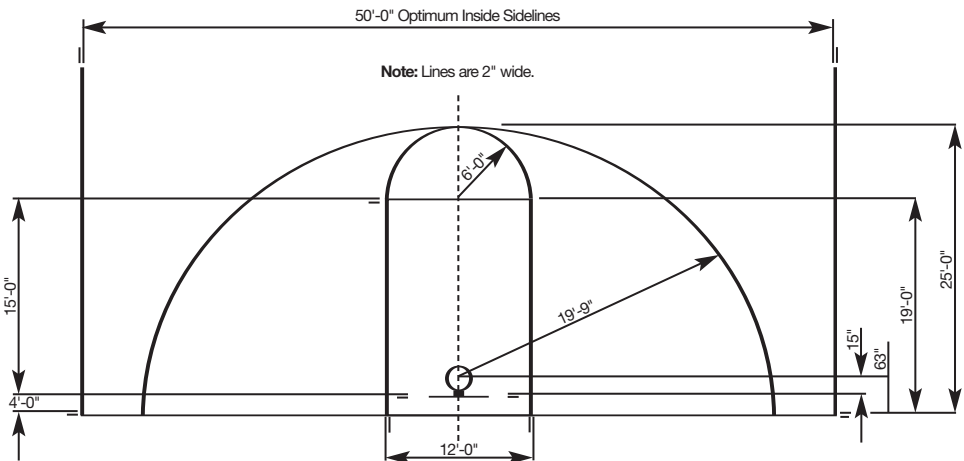
### Court Markings (reference only)

#### Regulation Court Lengths:

High School: 84'

College: 94'

Professional: 94'



## SAFETY INSTRUCTIONS

Failure to follow these safety instructions may result in serious injury or death and/or property damage.

- Do not install or use this product unless the instructions within this manual have been carefully read and understood.
- Consult your Goalsetter dealer or Goalsetter Systems, Inc. if you do not understand the instructions in this manual or need additional information.
- Before digging for the ground anchor, contact your local One-Call system in your area.
- If using a ladder during assembly, use extreme caution. Two or three people are recommended for safe installation and assembly.
- Installation and assembly of this product will require lifting and bending that may result in injury to anyone not accustomed to this type of activity.
- Ensure there are no overhead power lines within a 20 ft. (7 m.) radius of the goal location.
- Climate, corrosion or misuse could result in system failure.
- With rim set at 7'-0" playing height, the minimum operational height is 6'-4" (1.9 m) to the bottom of the backboard.
- **DO NOT HANG** on the rim or any part of the goal system. This includes the backboard, support braces or net.
- During play, especially when performing dunking activities, keep the player's face away from the backboard, rim and net. Serious injury could result if teeth/face come in contact with the backboard, rim or net. Do not wear jewelry or other loose objects that could become entangled in the net.
- Twice yearly, check the goal system for loose hardware, excessive wear and signs of corrosion. Repair the system before use.
- Never play on damaged equipment.

## WARNING

**FAILURE TO FOLLOW THESE WARNINGS MAY RESULT IN SERIOUS INJURY AND/OR PROPERTY DAMAGE.**

*Owner must ensure that all players know and follow these rules for safe operation of the system.*

- **DO NOT REMOVE OR COVER THIS WARNING LABEL**
- **DO NOT HANG** on the rim or any part of system including backboard, support braces or net.
- During play, especially when performing dunk type activities, keep player's face away from the backboard, rim and net. Serious injury could occur if teeth/face come in contact with backboard, rim or net.
- Do not slide, climb or play on pole.
- Do not allow young children to adjust system.
- During play, do not wear jewelry (rings, watches, necklaces, etc.). Objects may entangle in net.
- Keep organic material away from pole base. Grass, litter, etc. could cause corrosion and/or deterioration.
- Check pole system for signs of corrosion (rust, pitting, chipping) and repaint with exterior enamel paint. If rust has penetrated through the steel anywhere, replace pole immediately.
- Check system before each use for loose hardware, excessive wear and signs of corrosion and repair before use.
- Never play on damaged equipment.

GOALSETTER SYSTEMS, INC.

1-800-362-4625

## SAFETY INSTRUCTIONS

**FAILURE TO FOLLOW THESE SAFETY INSTRUCTIONS MAY RESULT IN SERIOUS INJURY AND/OR PROPERTY DAMAGE.**

- If using a ladder during assembly, use extreme caution. 2-3 people are recommended for safe installation and assembly.
- Before digging, contact utility company to locate under ground power cables, gas and water lines.
- Ensure there are no overhead power lines within 20 ft. (7m) radius of pole location.
- Climate, corrosion or misuse could result in system failure.
- If technical assistance is required, contact the manufacturer.
- Minimum operational height in 6'6" (1.98m) to the bottom of backboard.
- Installation and assembly will require lifting and bending that may result in injury to persons not accustomed to this type of activity.

Most injuries are caused by misuse and/or not following instructions. Use caution when using this system.

## GROUND ANCHOR INSTALLATION

Contacting buried utilities may cause serious injury or death. Before you start digging, always contact your local One-Call system to help prevent personal injury, interruption of services, environmental accidents or job delays.

Electric lines can shock or electrocute. Gas lines can rupture causing explosion or fire. Laser light in fiber optic cable can cause blindness.

One-Call will notify participating utility companies of your proposed digging project. **If you do not know the number for the local One-Call in your area, call the National One-Call at 1-888-258-0808 for this information.** After being notified, utility companies will mark their underground facilities by using the following international marking codes:

Color	Definition
Red	Electric
Yellow	Gas, Oil or Petroleum
Orange	Communication, Telephone, TV
Blue	Portable Water
Green/Brown	Sewer
White	Proposed Excavation
Pink	Surveying

### Required Tools and Materials

Spade

Shovel

Tape Measure

Level

Stir Rod

Auger or Post Hole Digger

10-14, 60 lb. Bags of Dry Concrete Mix  
(or 1/4 - 1/3 yard of ready mix concrete  
may be substituted for the concrete mix)

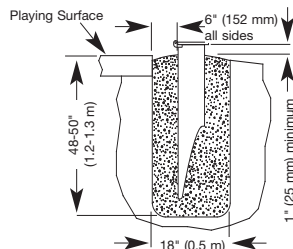
Water

## GROUND ANCHOR PLACEMENT

**IMPORTANT** – When preparing for ground anchor, allow at least 6" (152 mm) from all sides of ground anchor to wall of hole to allow for sufficient concrete fill around anchor.

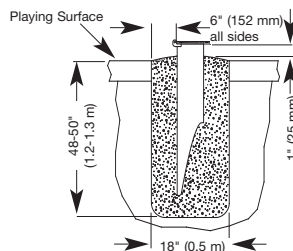
Use the following guidelines when installing ground anchor into a **landscaped area** next to the playing surface:

- Top of ground anchor to be flush with or slightly above playing surface.
- Top of ground anchor must be level both directions across its surface.
- Concrete fill should have top sloped away from anchor in all directions to shed moisture away.
- Hinge side of anchor toward playing surface.
- Hinge parallel with playing surface.
- Distance from edge of playing surface to anchor to be no less than 6" (152 mm).
- Distance from bottom of ground anchor plate to concrete fill to be no less than 1" (25 mm).



Use the following guidelines when installing ground anchor into a **hard-surfaced area**:

- Top of ground anchor to be 1" (25 mm) above playing surface.
- Concrete fill should have top sloped away from anchor in all directions to shed moisture away.
- Top of ground anchor must be level both directions across its surface.
- Hinge side of anchor toward playing surface.
- Hinge parallel with playing surface.
- Distance from edge of hole made in playing surface to anchor to be no less than 6" (152 mm).
- Distance from bottom of ground anchor plate to concrete fill to be no less than 1" (25 mm).

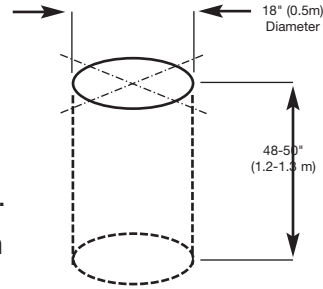


## GROUND ANCHOR INSTALLATION

**Dig Hole** – When installing goal into a hard-surfaced area, a minimum of a 18" x 18" (0.5 x 0.5 m) area of the hard surface will need to be removed.

**Step 1** – Once location of goal has been determined, locate center of ground anchor hole.

**Step 2** – Dig a hole approximately 18" (0.5 m) in diameter and 48-50" (1.2-1.3 m) deep. Use a spade, shovel, auger or post hole digger.



**Position Anchor and Fill Hole with Concrete Mix** – For best performance, **do not** fully fill hole with concrete mix before positioning the anchor. **Instead**, fill base of hole with concrete mix, lower the ground anchor into the hole, position it and then finish filling with concrete mix.

**Step 1** – Locate and unpack ground anchor. **Do not remove plastic plugs or hinge bolt.**

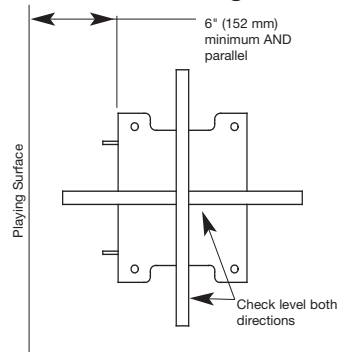
**Step 2** – Place 2-3 bags of concrete mix into hole; add water and stir. Follow concrete mix manufacturer's instructions for best results.

**Step 3** – Position anchor in center of hole with hinge side toward and parallel with playing surface.

**IMPORTANT** – As hole is filled with concrete mix, periodically place a level on top of anchor plate and check that it is level front-to-back and left-to-right. Also check that the top of anchor is at correct height.

**Step 4** – Adjust anchor plate height, depending upon installation, per guidelines given in Ground Anchor Placement.

**Step 5** – Continue filling hole with concrete mix until it is within 1"-1.5" (25-38 mm) of anchor plate bottom, or level with landscape – whichever comes first.



## GOAL ASSEMBLY

**IMPORTANT:** Concrete must cure a minimum of **48 hours** before installing goal.

**IMPORTANT:** Safe assembly of the goal requires two to three people in good physical condition and capable of lifting 80-100 lbs (36-45 kg) each.

**IMPORTANT:** Locate and familiarize yourself with all parts of the goal before beginning assembly.

### Required Tools and Materials

Level

Rubber Mallet

12' Tape Measure

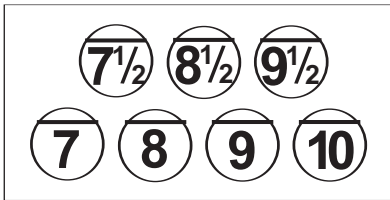
Phillips Screwdriver

Ratchet

9/16" and 3/4" Sockets

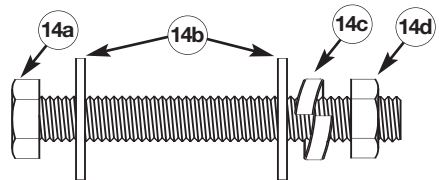
9/16" and 3/4" Wrenches

## HARDWARE IDENTIFICATION



Height Indicator Decal

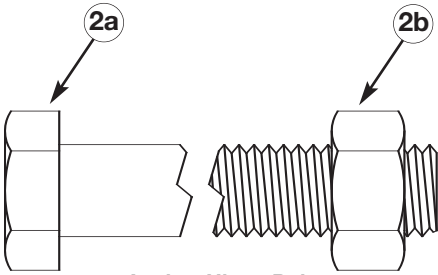
(All Models)



Rim Bolt Assembly

(All Models)

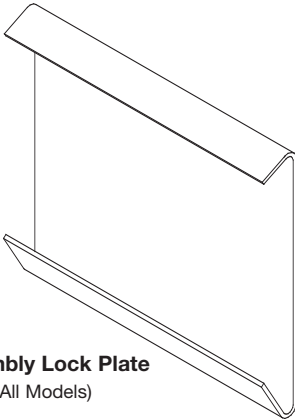
**HARDWARE IDENTIFICATION**



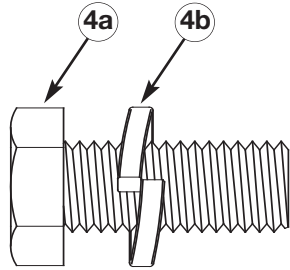
**Anchor Hinge Bolt**  
(All Models)



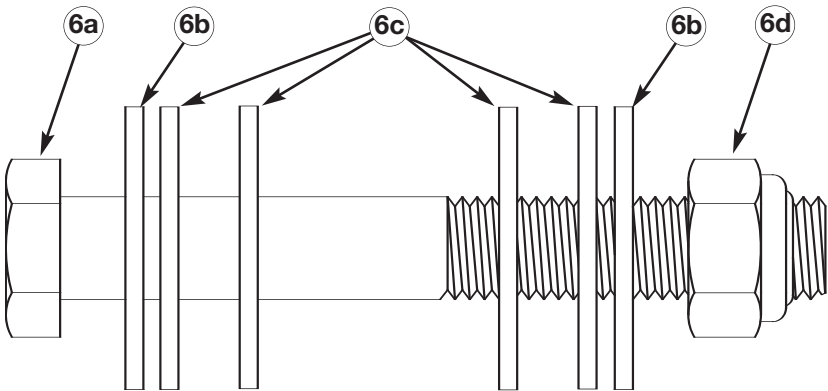
**Black Touch-Up Paint**



**Assembly Lock Plate**  
(All Models)



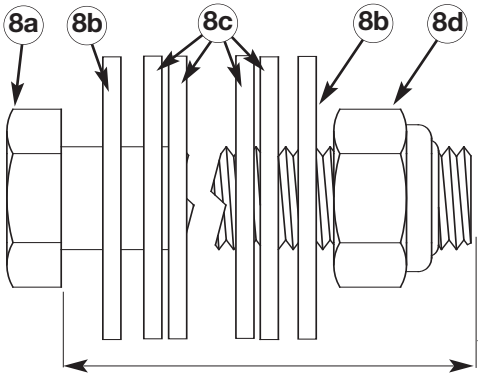
**Ground Anchor Bolt Assembly**  
(All Models)



**Jack Lower Pivot Bolt Assembly**

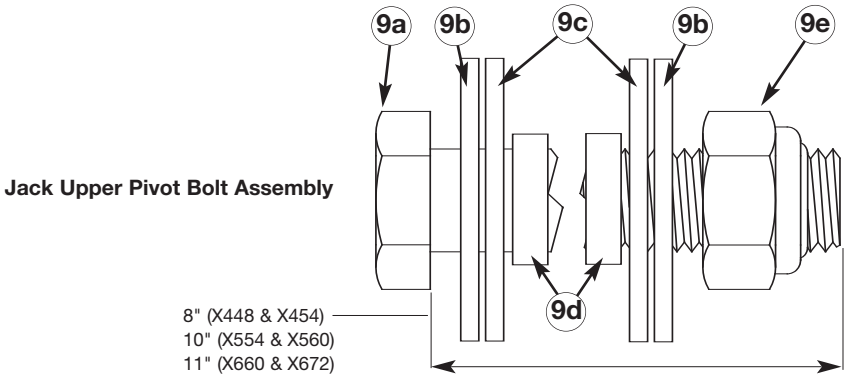
**NOTE:** Refer to page 12-15 for descriptions and quantities.

# HARDWARE IDENTIFICATION



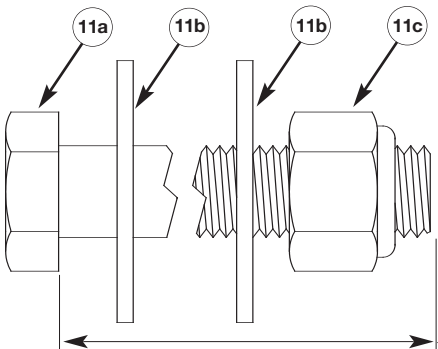
**Extension Arm Bolt Assembly**

- 8" (X448 & X454)
- 10" (X554 & X560)
- 11" (X660 & X672)



**Jack Upper Pivot Bolt Assembly**

- 8" (X448 & X454)
- 10" (X554 & X560)
- 11" (X660 & X672)



**Backboard Bolt Assembly**

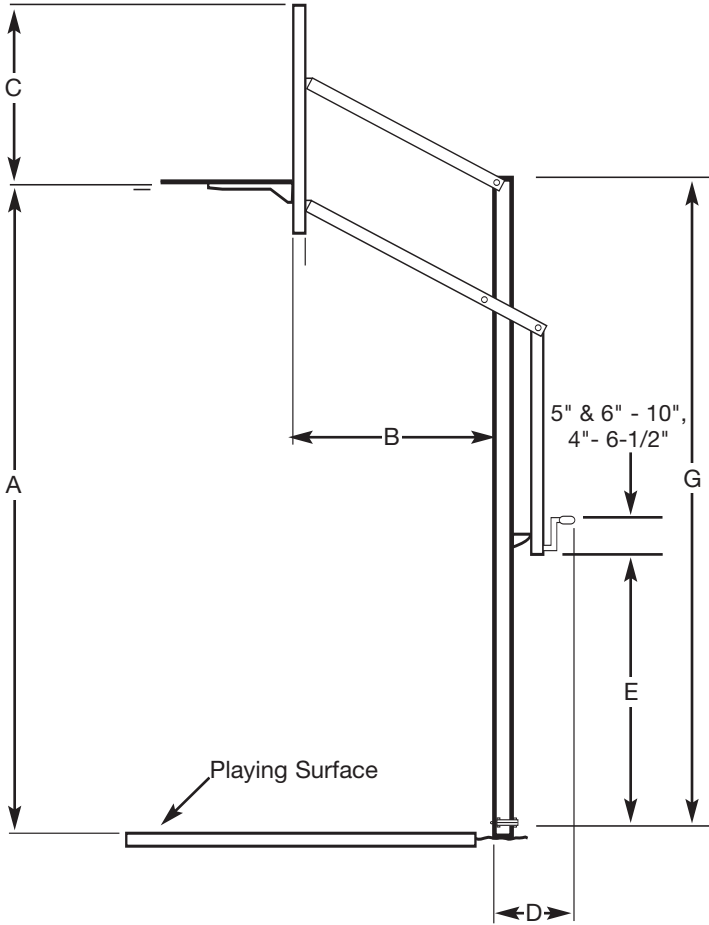
- 8" (X448 & X454)
- 2-1/2" (X554 & X560)
- 3-1/4" (X660 & X672)

## GOAL SPECIFICATIONS

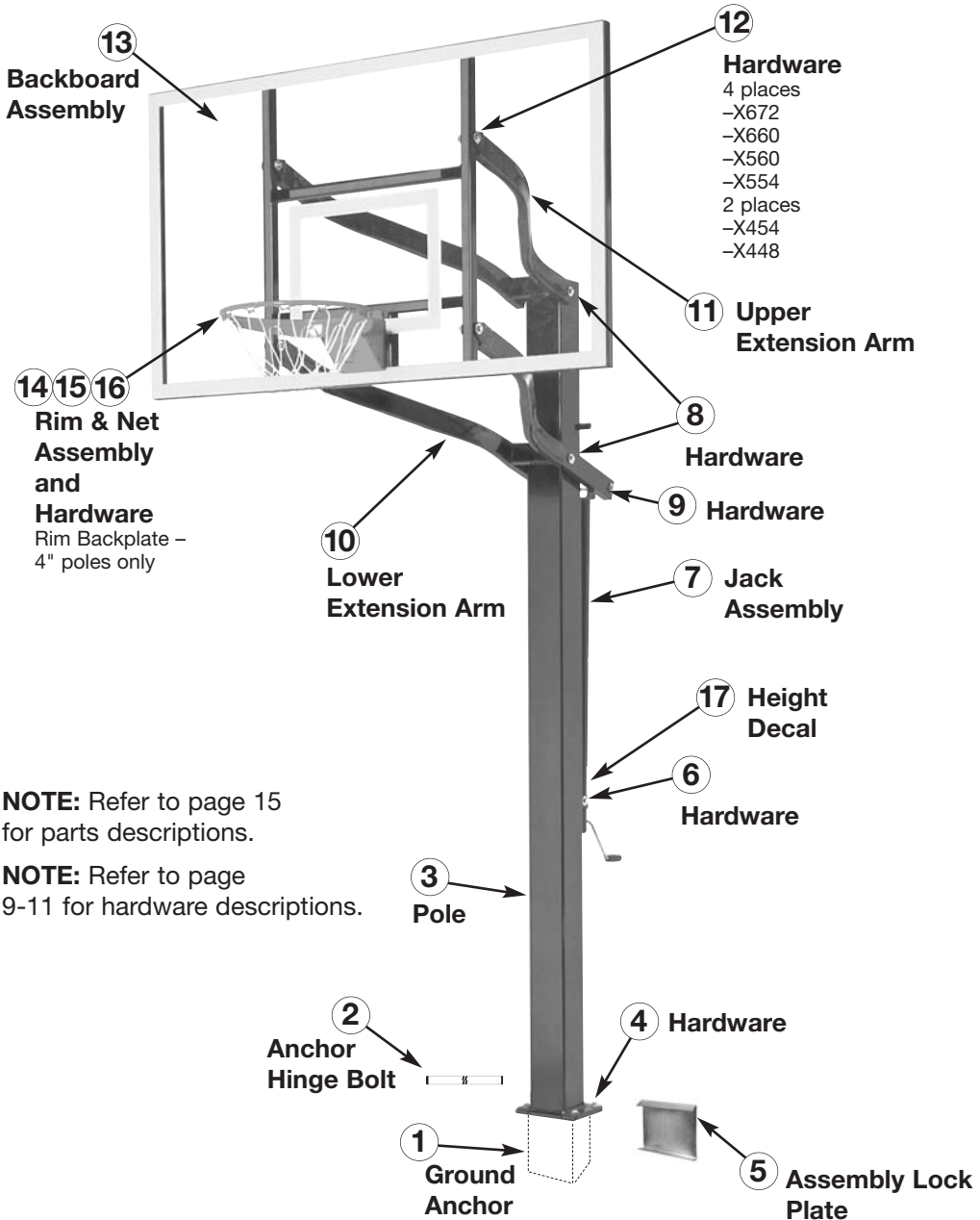
Model	Pole Size	Backboard Size	Weight With Acrylic	Weight With Glass	Height Range (A)
X672	6" x 6"	42" x 72"	475 lbs.	535 lbs.	7'-10'
X660	6" x 6"	38" x 60"	460 lbs.	515 lbs.	7'-10'
X560	5" x 5"	38" x 60"	375 lbs.	430 lbs.	7'-10'
X554	5" x 5"	36" x 54"	360 lbs.	400 lbs.	7'-10'
X454	4" x 4"	36" x 54"	260 lbs.	300 lbs.	7'-10'
X448	4" x 4"	32" x 48"	255 lbs.	285 lbs.	7'-10'

Model	Extension Distance (B) at:			Rim to Top-of-Goal Distance (C)
	10'	8'	7'	
X672	42"	48"	46"	33-3/4"
X660	42"	48"	46"	29-3/4"
X560	36"	43"	40"	29-3/4"
X554	36"	43"	40"	27-3/4"
X454	31"	36"	31"	27-3/4"
X448	31"	36"	31"	23-3/4"

Model	Crank Distance (D)	Crank Height (E)	(F) (not used)	Pole Height (G)
X672	18"	42"	–	10'
X660	18"	42"	–	10'
X560	18"	42"	–	9'-9"
X554	18"	42"	–	9'-9"
X454	18"	42"	–	9'-9"
X448	18"	42"	–	9'-9"



# PARTS LIST



**NOTE:** Refer to page 15 for parts descriptions.

**NOTE:** Refer to page 9-11 for hardware descriptions.

# EXTREME SERIES PARTS DESCRIPTION – page 15

REF	X672	X660	X560	X554	X454	X448	DESCRIPTION
1	1	1	-	-	-	-	Ground Anchor (6" x 6")
	-	-	1	1	-	-	Ground Anchor (5" x 5")
	-	-	-	-	1	1	Ground Anchor (4" x 4")
2a	1	1	-	-	-	-	Anchor Hinge Bolt, 3/8"-16 UNC x 7"
	-	-	1	1	-	-	Anchor Hinge Bolt, 3/8"-16 UNC x 6"
	-	-	-	-	1	1	Anchor Hinge Bolt, 3/8"-16 UNC x 5"
2b	1	1	1	1	1	1	Nut, 3/8"-16 UNC
3	1	1	-	-	-	-	Pole (6" x 6")
	-	-	1	1	-	-	Pole (5" x 5")
	-	-	-	-	1	1	Pole (4" x 4")
4a	5	5	5	5	5	5	Bolt, 1/2"-13 UNC x 1-1/4"
4b	5	5	5	5	5	5	Lock Washer, 1/2"
5	1	1	1	1	1	1	Assembly Lock Plate
6a	1	1	1	1	1	1	Bolt, 1/2"-13 UNC x 4"
6b	2	2	2	2	2	2	Flat Washer, 1/2"
6c	4	4	4	4	4	4	Nylon Washer, 1/2"
6d	1	1	1	1	1	1	Locknut, 1/2"-13 UNC
7	1	1	1	1	1	1	Jack Assembly
8a	2	2	-	-	-	-	Bolt, 1/2"-13 UNC x 11"
	-	-	2	2	-	-	Bolt, 1/2"-13 UNC x 10"
	-	-	-	-	2	2	Bolt, 1/2"-13 UNC x 8"
8b	4	4	4	4	4	4	Flat Washer, 1/2"
8c	8	8	8	8	8	8	Nylon Washer, 1/2"
8d	2	2	2	2	2	2	Locknut, 1/2"-13 UNC
9a	1	1	-	-	-	-	Bolt, 1/2"-13 UNC x 11"
	-	-	1	1	-	-	Bolt, 1/2"-13 UNC x 10"
	-	-	-	-	1	1	Bolt, 1/2"-13 UNC x 8"
9b	2	2	2	2	2	2	Flat Washer, 1/2"
9c	2	2	2	2	2	2	Nylon Washer, 1/2"
9d	2	2	2	2	-	-	Nylon Spacer, 1"
	-	-	-	-	2	2	Nylon Spacer, 1/2"
9e	1	1	1	1	1	1	Locknut, 1/2"-13 UNC
10	1	1	-	-	-	-	Lower Extension Arm (6")
	-	-	1	1	-	-	Lower Extension Arm (5")
	-	-	-	-	1	1	Lower Extension Arm (4")
11	1	1	-	-	-	-	Upper Extension Arm (6")
	-	-	1	1	-	-	Upper Extension Arm (5")
	-	-	-	-	1	1	Upper Extension Arm (4")
12a	4	4	-	-	-	-	Bolt, 1/2"-13 UNC x 3-1/4"
	-	-	4	4	-	-	Bolt, 1/2"-13 UNC x 2-1/2"
	-	-	-	-	2	2	Bolt, 1/2"-13 UNC x 8"
12b	8	8	8	8	4	4	Flat Washer, 1/2", 5/8" for 4" poles
12c	4	4	4	4	2	2	Locknut, 1/2"-13 UNC
13	1	-	-	-	-	-	Backboard Assy. – 42" x 70"
	-	1	1	-	-	-	Backboard Assy. – 38" x 60"
	-	-	-	1	1	-	Backboard Assy. – 36" x 54"
	-	-	-	-	-	1	Backboard Assy. – 32" x 48"
14	1	1	1	1	1	1	Rim and Net Assembly
15a	4	4	4	4	4	4	Bolt, 3/8"-16 UNC x 2"
15b	8	8	8	8	8	8	Flat Washer, 3/8"
15c	4	4	4	4	4	4	Lock Washer, 3/8"
15d	4	4	4	4	4	4	Nut, 3/8"-16 UNC
16	-	-	-	-	1	1	Rim Backplate
17	1	1	1	1	1	1	Decal – Height Indicator

## POLE ASSEMBLY

**Step 1:** Remove five plastic plugs from threaded holes in ground anchor. Also remove hinge bolt (3) and nut (these will be used in Step 3.)

**NOTE:** Use protective padding to protect pole finish.

**Step 2:** Unpack pole.

**Step 3:** Align pole hinge (1) with anchor plate hinge (2) and insert bolt (3) (#2 in parts list) and nut.

**Step 4:** Lift pole to approximately 30° and attach lock plate (4) to ground anchor and pole.

**IMPORTANT:** The 30° pole installation angle MUST be maintained until pole is raised in Goal Alignment.

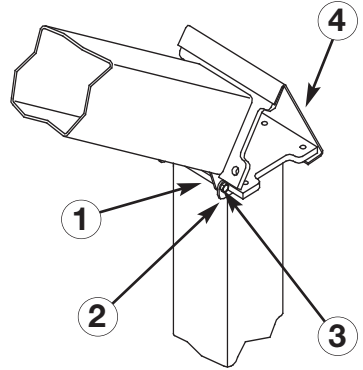
**NOTE:** For steps 5 and 6, refer to top graphic on facing page.

**Step 5:** Align lower extension arm (5) pivot with lower bushing on pole (6). Attach arm to pole with 1/2" bolt (#8 in parts list), two flat washers, four nylon washers and locknut.

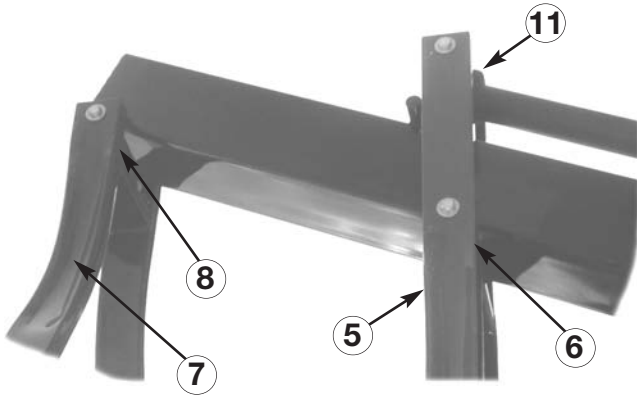
**Hardware Sequence:** Bolt passes through flat washer - nylon washer - arm - nylon washer - pole - nylon washer - arm - nylon washer - flat washer - locknut.

**Step 6:** Align upper extension arm (7) pivot with upper bushing on pole (8). Attach arm to pole with 1/2" bolt (#8 in parts list), two flat washers, four nylon washers and locknut.

**Hardware Sequence:** Bolt passes through flat washer - nylon washer - arm - nylon washer - pole - nylon washer - arm - nylon washer - flat washer - locknut.



**POLE ASSEMBLY (continued)**



**Step 7:** Attach lower end of jack ⑨ to bracket on pole ⑩ with 1/2" x 4" bolt (#6 in parts list), two flat washers, four nylon washers and locknut.

**NOTE:** Jack is packaged with pole on all Extreme models.

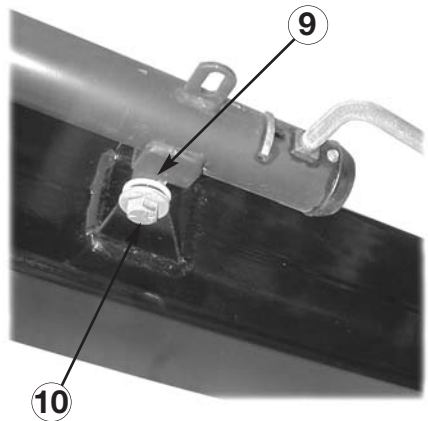
**Hardware Sequence:** Bolt passes through flat washer - nylon washer - pole bracket - nylon washer - jack pivot - nylon washer - pole bracket - nylon washer - flat washer - locknut.

**Step 8:** Extend jack until upper jack bracket ⑪ is aligned with holes in lower extension arm.

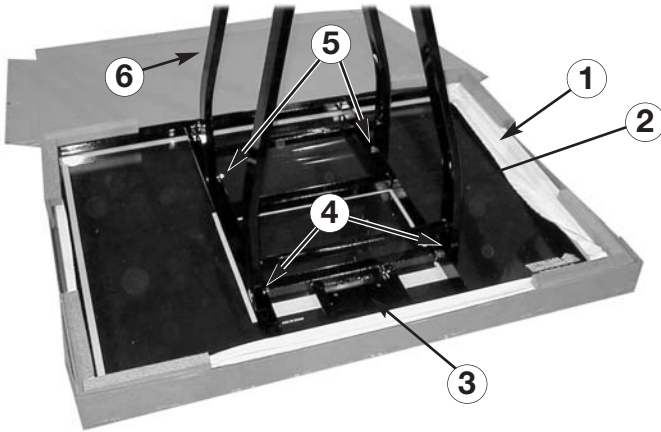
**IMPORTANT:** Attach upper end of jack to lower extension arm by extending the jack; DO NOT swing arm to make attachment.

**Step 9:** Attach upper end of jack ⑪ to lower extension arm ⑤ with 1/2" bolt (#9 in parts list), two flat washers, two nylon washers, two spacers and locknut.

**Hardware Sequence:** Bolt passes through flat washer - nylon washer - arm - spacer - jack bracket - spacer - arm - nylon washer - flat washer - locknut.



## BACKBOARD ATTACHMENT



**IMPORTANT:** Pole **MUST** be at original 30° installation angle as specified in *Pole Assembly*.

**Step 1:** Open lid of box containing backboard ① and position the backboard (without removing it from box) face down under lower extension arm ② with rim mounting plate ③ toward pole.

**NOTE:** X448 and X454 backboard uses two 1/2" bolts and four 5/8" flat washers for attachment; all others use four. 5/8" washer needs to be seated properly over nylon bushing on outside of backboard H-frame.

**Step 2:** Align backboard holes ④ with **lower** extension arm holes

②. Attach backboard to arm with 1/2" bolt (#12 in parts list), two flat washers and locknut at each mounting point.

**Step 3:** Align backboard holes ⑤ with **upper** extension arm

⑥. Attach backboard to arm with 1/2" bolt (#12 in parts list), two flat washers and locknut at each mounting point.

**Hardware Sequence for X672 and X660:**  
Bolt passes through flat washer - arm bracket - backboard bracket - arm bracket - flat washer - locknut.

**Hardware Sequence for X560 and X554:**  
Bolt passes through flat washer - arm - backboard bracket - flat washer - locknut.

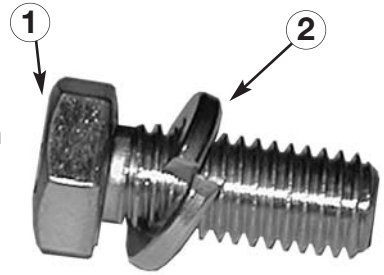
**Hardware Sequence for X454 and X448:**  
Bolt passes through flat washer - arm - backboard bracket - backboard bracket - arm - flat washer - locknut.

## GOAL ALIGNMENT

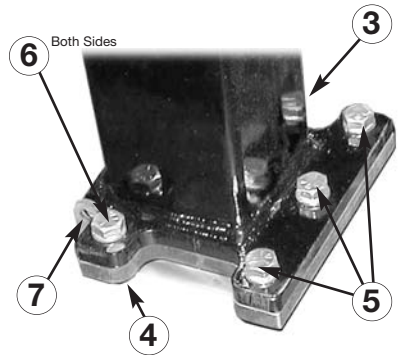
**IMPORTANT:** For safe assembly, do the following:

- Use two or three people to raise the goal assembly and hold it in a vertical position. They should be in good physical condition and capable of lifting 80-100 lbs (35-45 kg).
- DO NOT adjust height of backboard or attach rim until pole is raised and bolted down.
- Correct sequence of hardware installation MUST be followed during assembly.

**Step 1:** Locate five 1/2" x 1-1/4" bolts ① (#4 in parts list). Prepare them for use by having lock washer ② slipped on as shown.



**Step 2:** Push up on backboard to raise goal assembly to vertical position. The assembly lock plate, maintaining pole at 30° installation angle, will fall away. Save lock plate for future disassembly.



**Step 3:** Fasten pole ③ to threaded ground anchor plate ④ as follows:

- First, install and tighten three back bolts ⑤ with lock washers.
- **Second, remove ground anchor hinge bolt and nut ⑦. Save for future disassembly.**
- Third, install and tighten two front bolts ⑥ with lock washers.

**Step 4:** Check goal assembly with a level and inspect visually to determine if it is parallel and plumb to playing surface.

**Step 5:** If adjustments are necessary, slightly loosen bolts to rotate goal or place shims between pole plate and ground anchor plate.

**Step 6:** Fully tighten five bolts.

**IMPORTANT:** The bolts must pass all the way through the ground anchor plate. If they are recessed within the plate when fully tightened, please contact Goalsetter Systems.

## RIM ATTACHMENT

**NOTE:** Use all steps of the following instructions to install a reflex rim. To install a static rim, follow all steps except #2 and #6.

**Step 1:** Remove any cardboard edge protectors and protective sheeting from backboard.

**NOTE:** Four steel shouldered bushings (1) are factory installed. If loose, make sure to have them seated properly when tightening rim bolts. If missing, contact Goalsetter or dealer to get replacements. **DO NOT install rim without bushings.**

**Step 2:** If not already removed, remove cover plate screws (6) and cover plate (5) from rim assembly.

**IMPORTANT:** Correct sequence of hardware installation **MUST** be followed during assembly.

**Step 3:** Loosely attach rim (4) to backboard through top mounting holes (2) with two 3/8" x 2" bolts, four flat washer, two lock washers and two nuts. Snug tighten hardware – a 9/16" open-end wrench may be necessary.

**IMPORTANT – X454 & X448 only:** When attaching rim to TOP mounting holes, attach rim bolt backplate (7) at same time.

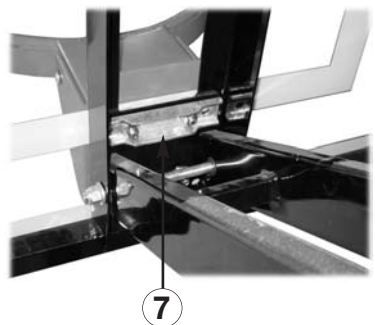
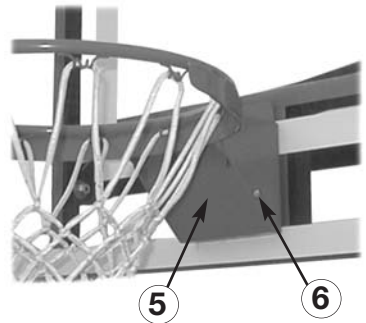
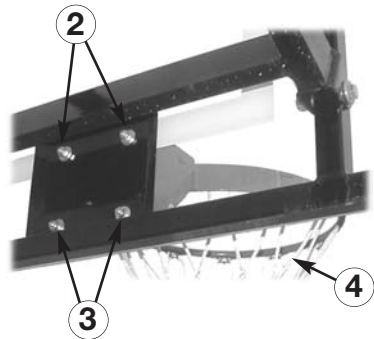
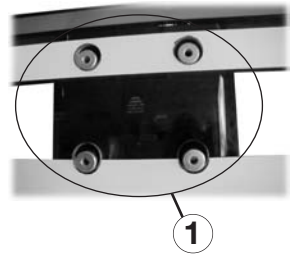
**Hardware Sequence:** Bolt passes through flat washer - rim backplate - backboard bushing - backboard mounting plate - flat washer - lock washer - nut.

**Step 4:** Repeat procedure outlined in Step 3 for lower rim mounting holes (3).

**Step 5:** Level rim side to side and then fully tighten hardware.

**Step 6:** Position cover plate (5) and attach with cover plate screws (6).

**Step 7:** Attach net to rim.



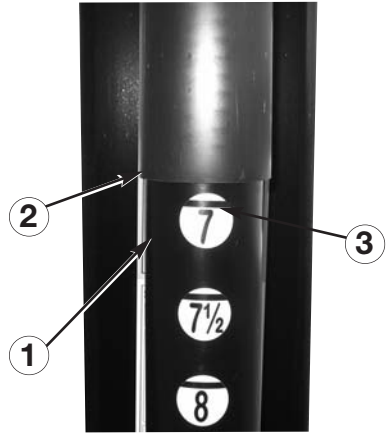
## HEIGHT INDICATOR ATTACHMENT

**Step 1:** Position top of rim 7' above playing surface using crank handle. Measure distance with a tape measure for accuracy.

**Step 2:** Draw a mark on inner tube (1) at edge of outer jack tube (2).

**Step 3:** Extend jack approximately 1/2". Apply the 7' decal on inner jack tube by aligning the line on decal (3) with the drawn mark.

**Step 4:** Repeat steps 1-3 for the 7 1/2', 8', 8 1/2', 9', 9 1/2', and 10' decals.



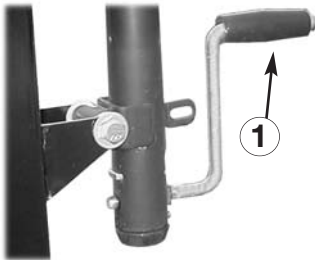
## CLEANING

The exterior finish of your Goalsetter goal is designed for outdoor environments and should only require periodic cleaning and inspection for imperfections that could develop over time (see *Maintenance* section).

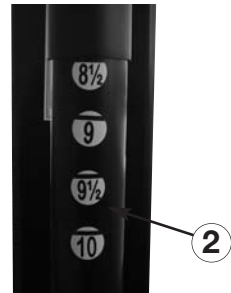
When cleaning is necessary, Goalsetter recommends using water and a mild dish detergent applied with a soft, non-abrasive cloth.

**IMPORTANT:** DO NOT use abrasive cleaners to clean the goal. Damage to the finish may result.

## OPERATION



(1) Crank – Turn clockwise for goal to go up, turn counter clockwise for goal to go down.



(2) Height Indicator indicates goal height from 7' to 10'.

## MAINTENANCE

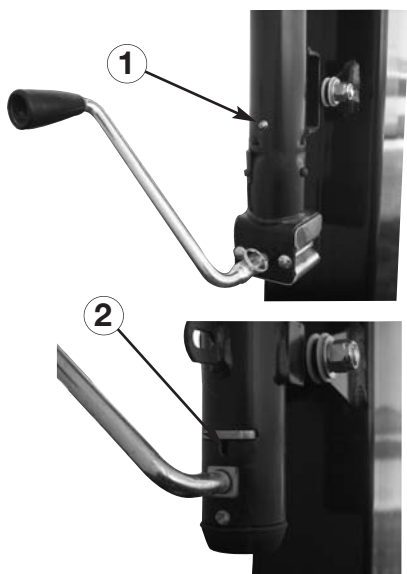
Goalsetter uses a two-part acrylic-enamel paint on our goals. With periodic inspection and service when needed, the high-gloss finish is designed to last for many years. A small bottle of black paint with brush is provided with every goal for touch up of imperfections as they develop and can be found in the hardware kit.

If more touch up is required, please contact Goalsetter Systems, Inc. or your local Goalsetter Dealer.



## LUBRICATION

Every jack that comes with a Goalsetter height-adjustable goal is pre-lubricated as it comes from the factory. With any mechanical component, periodic inspection and service is required. Goalsetter recommends applying lubrication at least once or twice a year to keep a smooth operation of the height actuator. There are two lubrication service points provided. Failure to do so could result in jack failure and not be covered under warranty.



### ① Jack Assembly

**X672, X660, X560 and X554 are equipped with a grease zerk – use several shots of grease.**

**② X454 and X448 are equipped with a lubrication port.** Use several shots of grease or a liberal amount of general-purpose lubricating oil.

**IMPORTANT –** A general-purpose lubricating oil like “3-in-1” or lightweight motor oil is recommended. **DO NOT** use penetrating oil like “WD-40”. Goalsetter has “Maintenance Kits” available which would include a bottle of lubricating oil. Contact Goalsetter Systems, Inc. or your local Goalsetter Dealer for details.

# WARRANTIES

## Buyer agrees that products sold by Goalsetter Systems, Inc. carry the following warranty:

Subject to proper installation and normal, intended use, all structural components of Goalsetter Systems Signature Series\*, Extreme Series\* and GS Wall-Mount Series\* basketball systems are warranted to be free of defects in material and workmanship for the duration of ownership by the original retail purchaser, subject to the limitations below. Tournament Series\* systems will be covered by this warranty for a period of five years. GS Portable Series\* systems will be covered by this warranty for a period of two years. Goalsetter shall have the right to require the purchaser to deliver the allegedly defective product to Goalsetter for testing, repair or replacement. Goalsetter shall not be responsible for any expenses associated with the replacement or removal of the product from its application for such delivery. Modification of any product by the customer, unless approved by Goalsetter Systems, will void all warranty. Where listed as "**LIMITED**", the warranties shall cover damage or failure that occurs during the course of **NORMAL or INTENDED USE** of the product. Normal or intended use shall be described as activity that is necessary for the participation in the sport for which the equipment is designed. **NOT COVERED** is damage caused by deliberate hanging, multiple player hanging, vandalism, non-basketball activities or any other activity that could be regarded as abusive. Where stated as "**UNCONDITIONAL**" the warranty limitations listed above do not apply. \*Signature Series – MVP, Captain, All-American, All-Star, Contender, Champion; Extreme Series – X672, X660, X560, X554, X454, X448; GS Wall-Mount Series – GS72 Wall-Mount, GS60 Wall-Mount, GS54 Wall-Mount, GS48 Wall-Mount; Tournament Series – Elite, Classic; GS Portable Series – GS1000, GS2000, GS2500, GS3000, GS3500

The Aqua System carries a five-year limited warranty, excluding the jack which carries a two-year warranty.

**Any warranty on a basketball system excludes the rim. Rim warranties are as follows:** Single Ring Static Rim: two-year limited; Double Ring Static Rim: Unconditional Lifetime; Home Court Flex Rim: one-year limited; Heavy Duty Flex Rim: two-year limited; GS Ultra Flex Rim: five-year limited; GS Collegiate Breakaway Rim: five-year limited; Double Ring Static Galvanized Rim: Unconditional Lifetime

**Padding Warranty:** Multi-Purpose Backboard Edge Padding: one-year limited; Indoor Backboard Edge Padding: five-year limited (indoor only); Custom Fitted Pole Padding: one-year limited; Wrap Around Pole Padding: one-year limited

### NOT COVERED BY THIS WARRANTY

- Use in non-residential applications of Glass backboards on Signature Series systems.
- Use in non-residential applications of Extreme Series and Tournament Series complete systems.
- Any products subjected to abuse, negligence, improper installation, vandalism, acts of God, alteration of product or any other events beyond the control of Goalsetter Systems.
- Paint or rusted parts. Touch-up paint is included in all hardware kits.
- Deterioration of product due to time or wear and tear.

Normal deterioration of products due to atmospheric conditions, weather, wear and tear (including paint), or other causes that do not affect functional use are not covered by Goalsetter Systems warranties. All warranties are valid only when product is used in the intended application & when installed according to Goalsetter Systems instructions. Warranty will be void if maintenance instructions in the Owner's Manual are not followed. If you did not receive an Owners Manual please call 1-800-362-4625 and one will be mailed to you.

**WARRANTY CLAIMS:** All returns must be arranged through the Goalsetter Systems dealer where the product was originally purchased. Warranties do not cover dealer service charges, labor charges and travel expenses associated with replacement, repair or removal of warranty item. A Goalsetter Warranty Claim form must be completed, and photos submitted, for any item you wish to claim under warranty. If the purchase was not made through a dealer, this form is available by email, fax or mail. In response to your claim, you will receive an order confirmation as well as a notice stating whether Goalsetter needs your warranty item returned. Goalsetter will notify you by fax or phone if we determine that the item cannot be claimed under warranty. **Goalsetter Systems is not responsible for any charges for labor to install or repair defective product without prior authorization. Goalsetter will determine the most economical method to either repair or replace product before any work is to commence.**

**Questions? Comments? Contact Us:**  
**Phone: 800.362.4625 • Fax: 641.594.3343**  
**Email: [info@goalsettersystems.com](mailto:info@goalsettersystems.com)**  
**[www.goalsettersystems.com](http://www.goalsettersystems.com)**